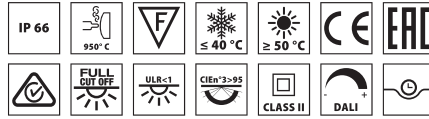


KREOS

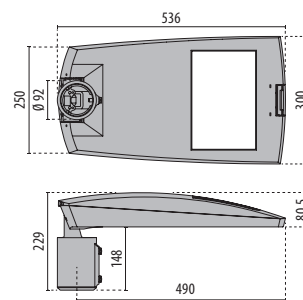


Scan the QR-code for the latest information

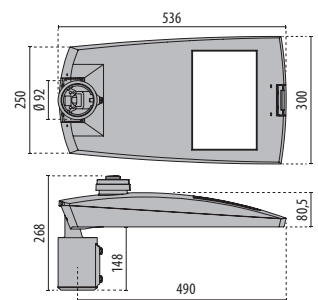
■ AN-96 / Anthracite gray / Textured

LED street luminaire, comprising:

- Die-cast aluminium housing and cover, polyester powder coat finish ISO 9227/12944 - ISO 9223 (C5)
- Coated die-cast aluminium pole-top adaptor for pole $\varnothing 60 / 76$ mm
- High-performance polished, oxidised, PVD 99.99% silver treated, pure aluminium reflectors. This treatment creates an iridescence-free surface with a greater than 97% reflectance
- StReet optic options: SR/075 usually for narrow roads ($0.5 \geq L/H \geq 0.75$), SR/100 for two-lane roads ($L/H = 1$), SR/125 for wide streets and ($L/H = 1.25$), SR/150 for wide roads/parking lots ($L/H = 1.5$) schemes. L/H ratio (L-road width/H-pole height)
- UNI 10819 light pollution standards compliant (0% ULOR rating)
- Anti-ageing custom moulded silicone sealing gasket(s) with resilient elastic return capacity
- Extra clear, toughened, flat glass diffuser
- The integral switch splitter automatically disconnects the driver from mains when opened
- Die-cast aluminium retaining clip with stainless steel spring allows quick and tool-free access to the luminaire for extraordinary maintenance
- Removable galvanized sheet metal gear tray
- Built-in driver
- Integral surge protection device (SPD) against mains overvoltages up to 10 kV (CM/DM)
- Complete with 1 m H07RN-F 2x1.5 mm² or H07RN-F 4x1.5 mm² (dimmbale options) cable, for mains connection without opening the luminaire
- Stainless steel locking hardware
- Complete with NEMA socket connected to DALI driver and waterproof short-circuit cap for On/Off operation mode and SMART-compatible mounting solutions (NEMA options)
- Complete with ZHAGA socket positioned on the upper part of the luminaire (UP position) and D4i driver. Ready for "radio frequency node" smart, twilight and other compatible solutions (ZHAGA options). Consult factory for more options
- Upon request, luminaires can be provided with ZHAGA socket positioned in the lower part of the luminaire (DOWN position) or mixed (UP position + DOWN position) to be able to connect presence and/or motion detectors or combined solutions
- Other colour temperatures (CCT) and colour rendering index (CRI) options available. Consult factory
- DALI-2 (IEC 62386) dimmable ballast available. Consult factory
- CLO (Constant Light Output) options available. Consult factory
- Photometric data measure according to UNI EN 13032-4 and IES LM-79-08

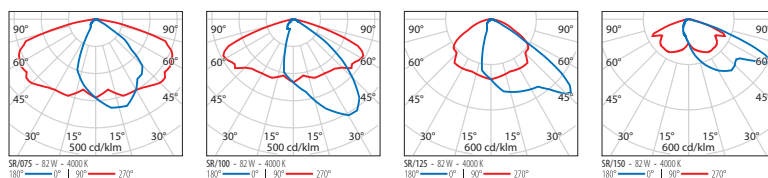


KREOS



KREOS
NEMA

Identifying and classifying our optics



KREOS SR/075

IP66 - IK08 - 960 °C



LUMINAIRE WATTAGE [W]	CLASS	ENEC	CRI	KELVIN	OPTIC	BEAM ANGLE	LIGHTSOURCE LUMEN OUTPUT [lm]	LUMINAIRE LUMEN OUTPUT [lm]	COLOUR / FINISH	PART NUMBER
Power LED - with automatic power reduction 220-240 V 50/60 Hz										
82	II	-	70	4000	SR/075	-	12707	9851	■	3106228
82	II	-	70	3000	SR/075	-	12125	9400	■	3106237
63	II	-	70	4000	SR/075	-	10611	8302	■	3106227
63	II	-	70	3000	SR/075	-	10125	7922	■	3106236
53	II	-	70	4000	SR/075	-	9039	7293	■	3106226
53	II	-	70	3000	SR/075	-	8625	6959	■	3106235
44	II	-	70	4000	SR/075	-	7729	6323	■	3106225
44	II	-	70	3000	SR/075	-	7375	6033	■	3106234
35	II	-	70	4000	SR/075	-	6288	5117	■	3106224
35	II	-	70	3000	SR/075	-	6000	4883	■	3106233
34	II	-	70	4000	SR/075	-	5305	4240	■	3106223
34	II	-	70	3000	SR/075	-	5062	4046	■	3106232
24	II	-	70	4000	SR/075	-	3930	3163	■	3106222
24	II	-	70	3000	SR/075	-	3750	3018	■	3106231
16	II	-	70	4000	SR/075	-	2685	2155	■	3106221
16	II	-	70	3000	SR/075	-	2562	2056	■	3106230
12	II	-	70	4000	SR/075	-	1965	1567	■	3106220
12	II	-	70	3000	SR/075	-	1875	1495	■	3106229

KREOS SR/100

IP66 - IK08 - 960 °C



LUMINAIRE WATTAGE [W]	CLASS	ENEC	CRI	KELVIN	OPTIC	BEAM ANGLE	LIGHTSOURCE LUMEN OUTPUT [lm]	LUMINAIRE LUMEN OUTPUT [lm]	COLOUR / FINISH	PART NUMBER
Power LED - dimmable DALI 220-240 V 50/60 Hz										
82	II	-	70	4000	SR/100	-	12707	9862	■	3106112
82	II	-	70	3000	SR/100	-	12125	9410	■	3106170
63	II	-	70	4000	SR/100	-	10611	8311	■	3106111
63	II	-	70	3000	SR/100	-	10125	7930	■	3106169
53	II	-	70	4000	SR/100	-	9039	7302	■	3106110
53	II	-	70	3000	SR/100	-	8625	6968	■	3106168
44	II	-	70	4000	SR/100	-	7729	6330	■	3106109
44	II	-	70	3000	SR/100	-	7375	6040	■	3106167
35	II	-	70	4000	SR/100	-	6288	5122	■	3106108
35	II	-	70	3000	SR/100	-	6000	4887	■	3106166
34	II	-	70	4000	SR/100	-	5305	4247	■	3106107
34	II	-	70	3000	SR/100	-	5062	4053	■	3106165
24	II	-	70	4000	SR/100	-	3930	3210	■	3106106
24	II	-	70	3000	SR/100	-	3750	3063	■	3106164
16	II	-	70	4000	SR/100	-	2685	2190	■	3106105
16	II	-	70	3000	SR/100	-	2562	2090	■	3106163
12	II	-	70	4000	SR/100	-	1965	1575	■	3106104
12	II	-	70	3000	SR/100	-	1875	1503	■	3106162

Power LED - with automatic power reduction 220-240 V 50/60 Hz										
82	II	-	70	4000	SR/100	-	12707	9862	■	3106121
82	II	-	70	3000	SR/100	-	12125	9410	■	3106179
63	II	-	70	4000	SR/100	-	10611	8311	■	3106120
63	II	-	70	3000	SR/100	-	10125	7930	■	3106178
53	II	-	70	4000	SR/100	-	9039	7302	■	3106119
53	II	-	70	3000	SR/100	-	8625	6968	■	3106177
44	II	-	70	4000	SR/100	-	7729	6330	■	3106118
44	II	-	70	3000	SR/100	-	7375	6040	■	3106176
35	II	-	70	4000	SR/100	-	6288	5122	■	3106117
35	II	-	70	3000	SR/100	-	6000	4887	■	3106175
34	II	-	70	4000	SR/100	-	5305	4247	■	3106116
34	II	-	70	3000	SR/100	-	5062	4053	■	3106174
24	II	-	70	4000	SR/100	-	3930	3210	■	3106115
24	II	-	70	3000	SR/100	-	3750	3063	■	3106173
16	II	-	70	4000	SR/100	-	2685	2190	■	3106114
16	II	-	70	3000	SR/100	-	2562	2090	■	3106172
12	II	-	70	4000	SR/100	-	1965	1575	■	3106113
12	II	-	70	3000	SR/100	-	1875	1503	■	3106171

KREOS SR/100 NEMA

IP66 - IK08 - 960 °C

LUMINAIRE WATTAGE [W]	CLASS	ENEC	CRI	KELVIN	OPTIC	BEAM ANGLE	LIGHTSOURCE LUMEN OUTPUT [lm]	LUMINAIRE LUMEN OUTPUT [lm]	COLOUR / FINISH	PART NUMBER
Power LED - dimmable DALI with NEMA socket - 220-240 V 50/50 Hz										
82	II	-	70	4000	SR/100	-	12707	9862	■	3105696
82	II	-	70	3000	SR/100	-	12125	9410	■	3106161
63	II	-	70	4000	SR/100	-	10611	8311	■	3105695
63	II	-	70	3000	SR/100	-	10125	7930	■	3106160
53	II	-	70	4000	SR/100	-	9039	7302	■	3105694
53	II	-	70	3000	SR/100	-	8625	6968	■	3106159
44	II	-	70	4000	SR/100	-	7729	6330	■	3105693
44	II	-	70	3000	SR/100	-	7375	6040	■	3106158
35	II	-	70	4000	SR/100	-	6288	5122	■	3105692
35	II	-	70	3000	SR/100	-	6000	4887	■	3106157
34	II	-	70	4000	SR/100	-	5305	4247	■	3105691
34	II	-	70	3000	SR/100	-	5062	4053	■	3106156
24	II	-	70	4000	SR/100	-	3930	3210	■	3105690
24	II	-	70	3000	SR/100	-	3750	3063	■	3106155
16	II	-	70	4000	SR/100	-	2685	2190	■	3105689
16	II	-	70	3000	SR/100	-	2562	2090	■	3106154
12	II	-	70	4000	SR/100	-	1965	1575	■	3105688
12	II	-	70	3000	SR/100	-	1875	1503	■	3106153



KREOS SR/100 ZHAGA

IP66 - IK08 - 960 °C

LUMINAIRE WATTAGE [W]	CLASS	ENEC	CRI	KELVIN	OPTIC	BEAM ANGLE	LIGHTSOURCE LUMEN OUTPUT [lm]	LUMINAIRE LUMEN OUTPUT [lm]	COLOUR / FINISH	PART NUMBER
Power LED - dimmable D4i with ZHAGA socket UP - 220-240 V 50/60 Hz										
63	II	-	70	4000	SR/100	-	10611	8311	■	3112204
63	II	-	70	3000	SR/100	-	10125	7930	■	3112307
53	II	-	70	4000	SR/100	-	9039	7302	■	3112308
53	II	-	70	3000	SR/100	-	8625	6968	■	3112309
44	II	-	70	4000	SR/100	-	7729	6330	■	3112310
44	II	-	70	3000	SR/100	-	7375	6040	■	3112311
35	II	-	70	4000	SR/100	-	6288	5122	■	3112312
35	II	-	70	3000	SR/100	-	6000	4887	■	3112313
34	II	-	70	4000	SR/100	-	5305	4247	■	3112314
34	II	-	70	3000	SR/100	-	5062	4053	■	3112315
24	II	-	70	4000	SR/100	-	3930	3210	■	3112316
24	II	-	70	3000	SR/100	-	3750	3063	■	3112317
16	II	-	70	4000	SR/100	-	2685	2190	■	3112318
16	II	-	70	3000	SR/100	-	2562	2090	■	3112319
12	II	-	70	4000	SR/100	-	1965	1575	■	3112320
12	II	-	70	3000	SR/100	-	1875	1503	■	3112321



KREOS SR/125

IP66 - IK08 - 960 °C

LUMINAIRE WATTAGE [W]	CLASS	ENEC	CRI	KELVIN	OPTIC	BEAM ANGLE	LIGHTSOURCE LUMEN OUTPUT [lm]	LUMINAIRE LUMEN OUTPUT [lm]	COLOR / FINISH	PART NUMBER
Power LED - with automatic power reduction 220-240 V 50/60 Hz										
82	II	-	70	4000	SR/125	-	12707	9779	■	3106246
82	II	-	70	3000	SR/125	-	12125	9331	■	3106255
63	II	-	70	4000	SR/125	-	10611	8241	■	3106245
63	II	-	70	3000	SR/125	-	10125	7864	■	3106254
53	II	-	70	4000	SR/125	-	9039	7240	■	3106244
53	II	-	70	3000	SR/125	-	8625	6908	■	3106253
44	II	-	70	4000	SR/125	-	7729	6277	■	3106243
44	II	-	70	3000	SR/125	-	7375	5990	■	3106252
35	II	-	70	4000	SR/125	-	6288	5079	■	3106242
35	II	-	70	3000	SR/125	-	6000	4846	■	3106251
34	II	-	70	4000	SR/125	-	5305	4204	■	3106241
34	II	-	70	3000	SR/125	-	5062	4011	■	3106250
24	II	-	70	4000	SR/125	-	3930	3144	■	3106240
24	II	-	70	3000	SR/125	-	3750	3000	■	3106249
16	II	-	70	4000	SR/125	-	2865	2142	■	3106239
16	II	-	70	3000	SR/125	-	2562	2044	■	3106248
12	II	-	70	4000	SR/125	-	1965	1558	■	3106238
12	II	-	70	3000	SR/125	-	1875	1487	■	3106247



KREOS SR/150

IP66 - IK08 - 960 °C

LUMINAIRE WATTAGE [W]	CLASS	ENEC	CRI	KELVIN	OPTIC	BEAM ANGLE	LIGHTSOURCE LUMEN OUTPUT [lm]	LUMINAIRE LUMEN OUTPUT [lm]	COLOR / FINISH	PART NUMBER
Power LED - with automatic power reduction 220-240 V 50/60 Hz										
82	II	-	70	4000	SR/150	-	12707	9156	■	3106264
82	II	-	70	3000	SR/150	-	12125	8737	■	3106273
63	II	-	70	4000	SR/150	-	10611	7743	■	3106263
63	II	-	70	3000	SR/150	-	10125	7388	■	3106272
53	II	-	70	4000	SR/150	-	9039	6725	■	3106262
53	II	-	70	3000	SR/150	-	8625	6417	■	3106271
44	II	-	70	4000	SR/150	-	7729	5838	■	3106261
44	II	-	70	3000	SR/150	-	7375	5571	■	3106270
35	II	-	70	4000	SR/150	-	6288	4710	■	3106260
35	II	-	70	3000	SR/150	-	6000	4494	■	3106269
34	II	-	70	4000	SR/150	-	5305	3937	■	3106259
34	II	-	70	3000	SR/150	-	5062	3757	■	3106268
24	II	-	70	4000	SR/150	-	3930	2927	■	3106258
24	II	-	70	3000	SR/150	-	3750	2793	■	3106267
16	II	-	70	4000	SR/150	-	2685	1995	■	3106257
16	II	-	70	3000	SR/150	-	2562	1904	■	3106266
12	II	-	70	4000	SR/150	-	1965	1485	■	3106256
12	II	-	70	3000	SR/150	-	1875	1417	■	3106265



Optional accessories

DESCRIPTION	COLOR	PART NUMBER
KREOS		
Reducer pole Ø 42÷46 mm	■	3106386
Hot-dipped galvanized wall angled steel bracket, cataphoresis and polyester powder	■	1407796



3106386



1407796